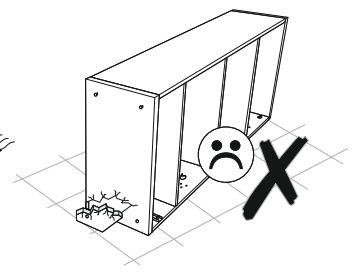
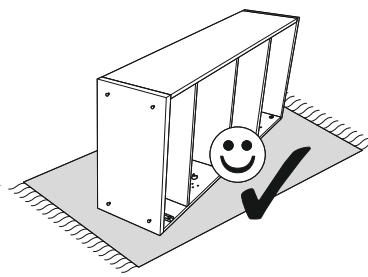
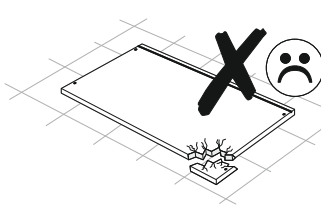
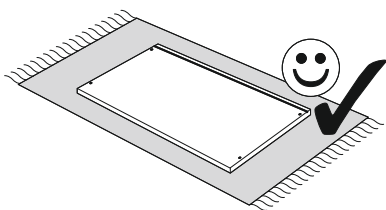
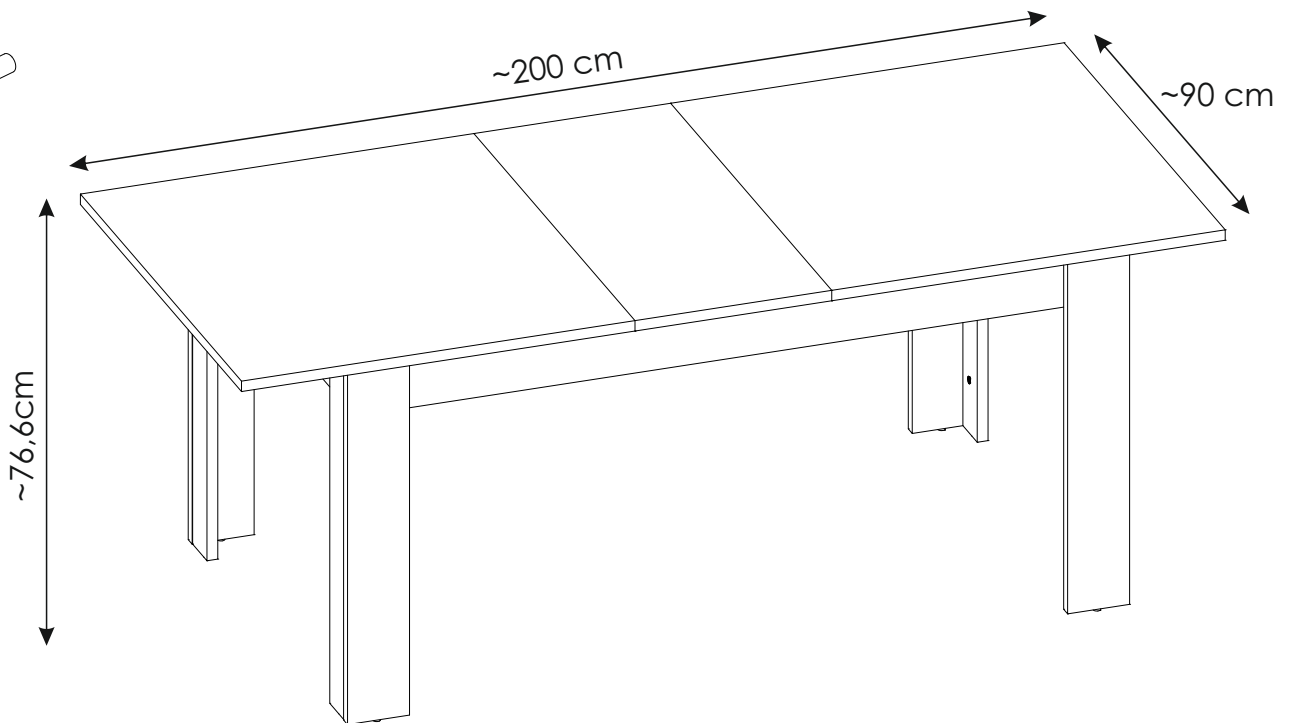
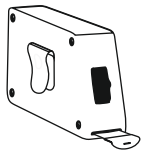
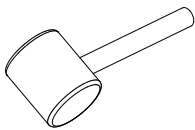
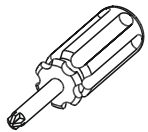
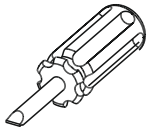
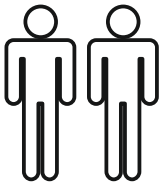
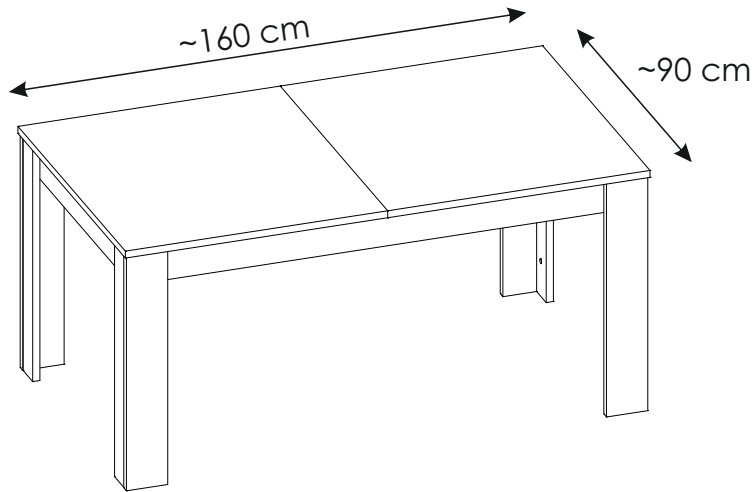
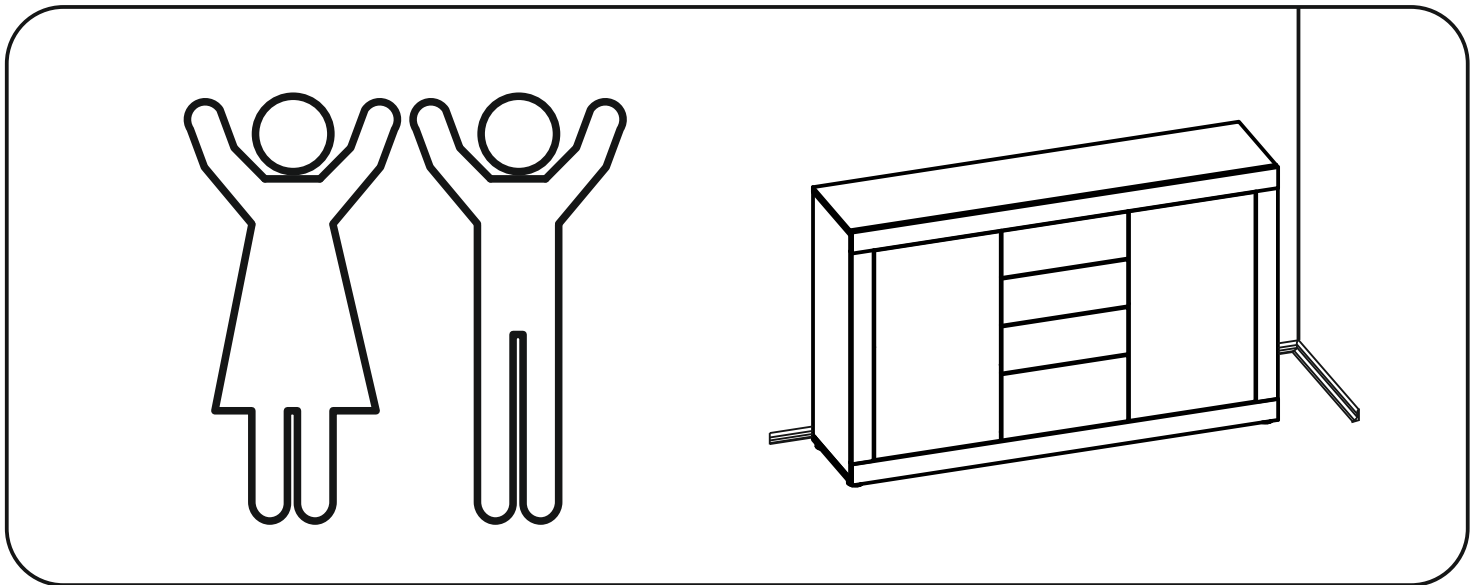
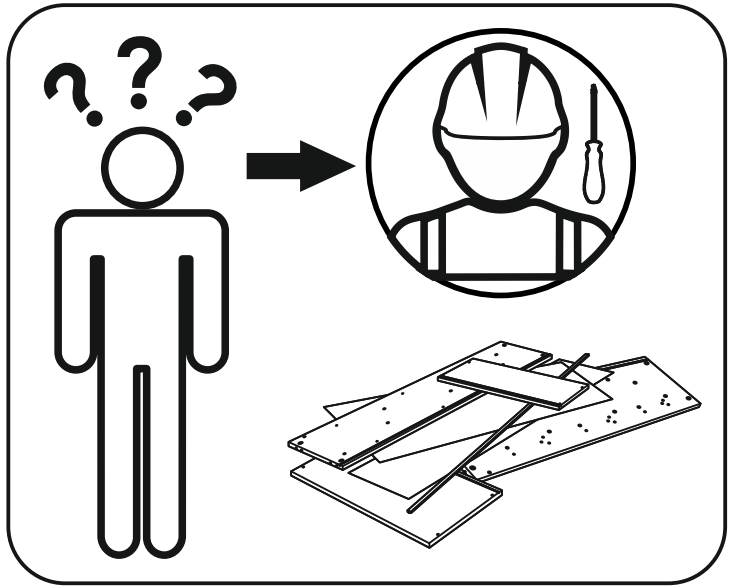
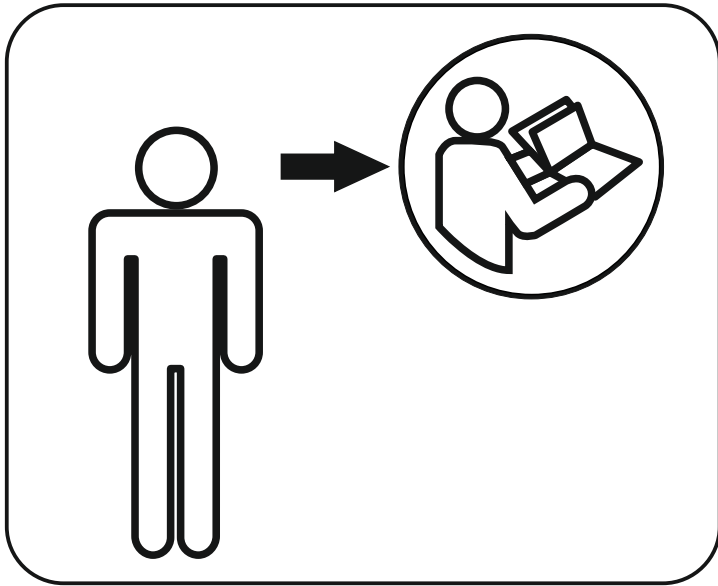
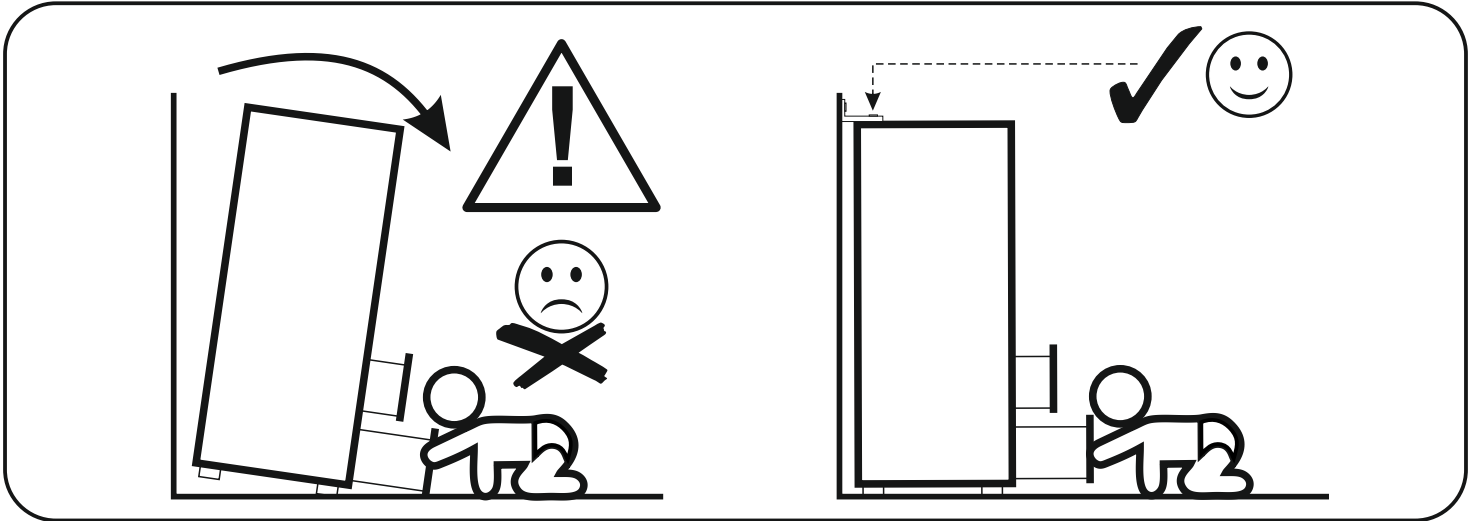
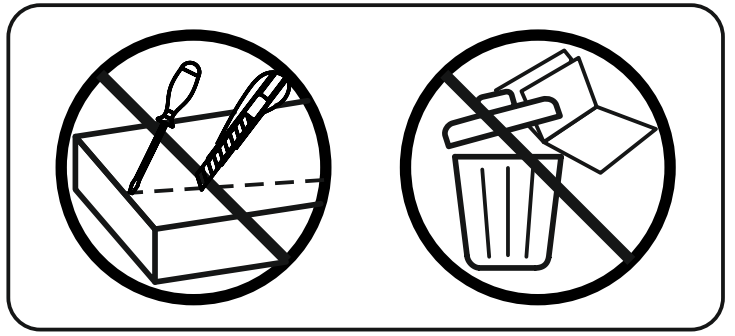
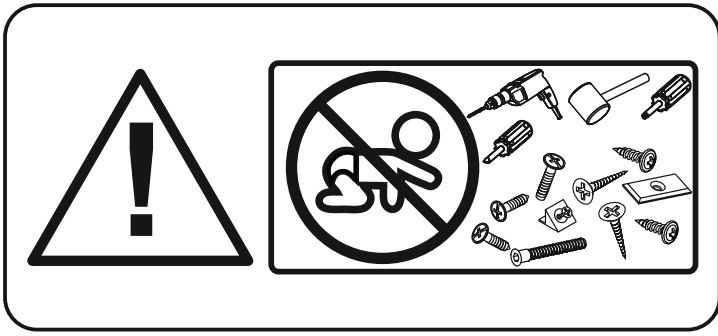
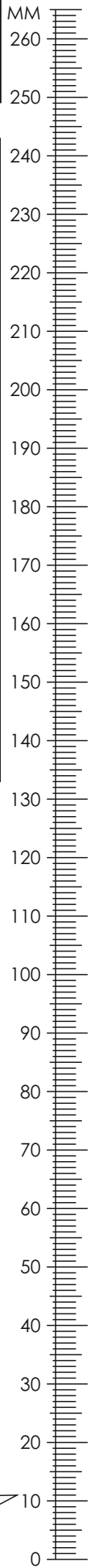


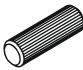

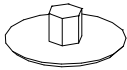

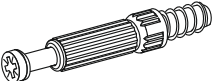

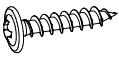

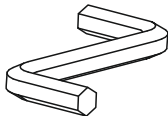

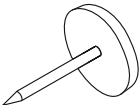

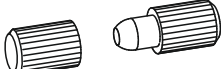
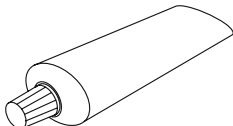

# LYOT04

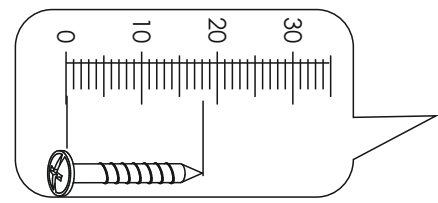




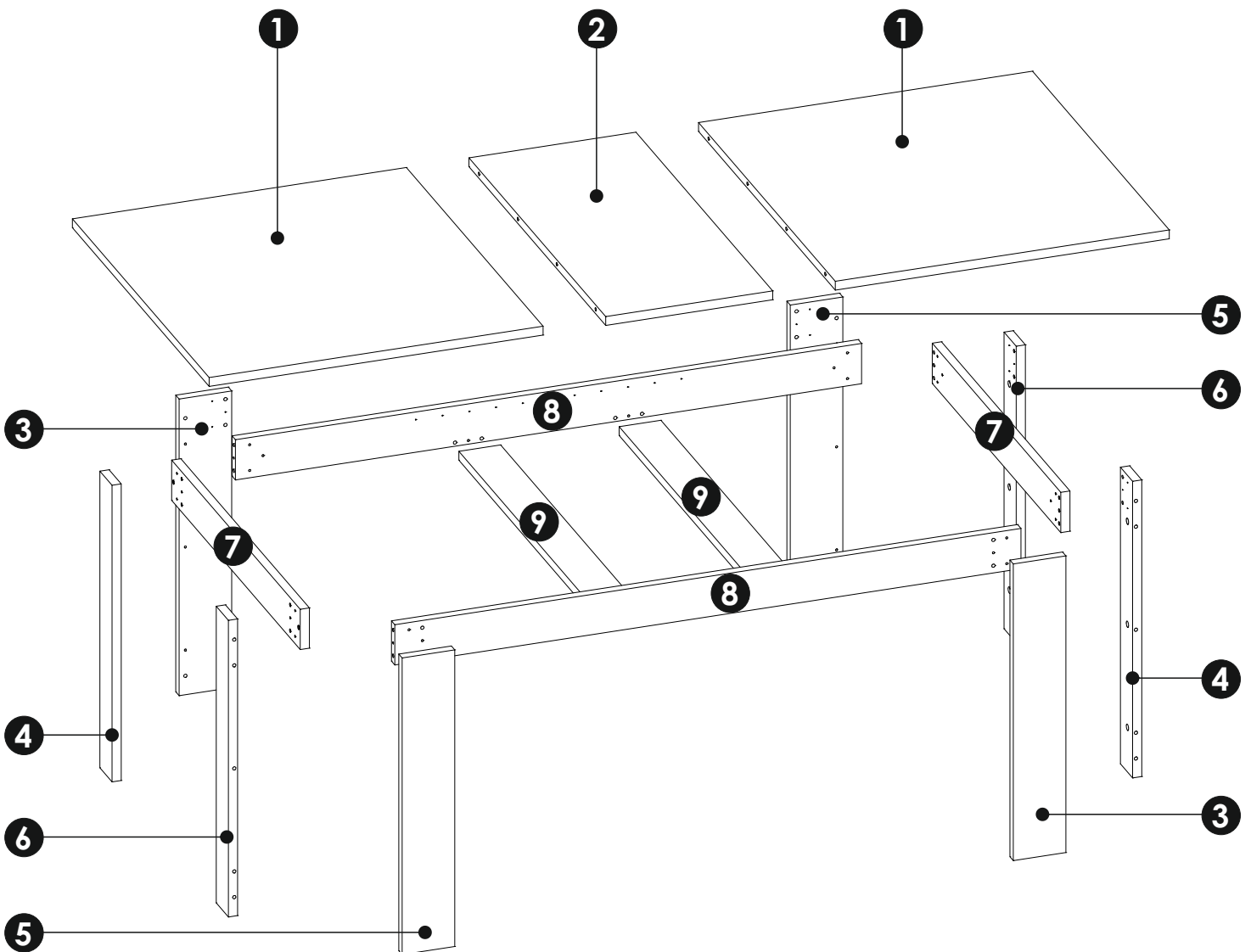
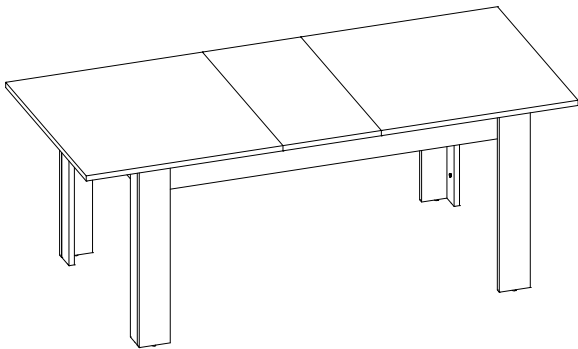
# LYOT04



<b>A1</b> 8 x 35 mm x24 	<b>A6</b> 8 x 24 mm x16 	<b>E0</b> Ø16 x16 
<b>E1</b> 15 x 12 mm x16 	<b>F1</b> 6 x 34 mm x16 	<b>G2</b> 7 x 60 mm x4 
<b>I9</b> 4 x 20 mm x20 	<b>I15</b> 4 x 40 mm x24 	<b>M</b> x1 
<b>N5</b> 3,5 x 16 mm x20 	<b>O2</b> x8 	<b>O2A</b> ø20 x8 
<b>R8</b> x8 	<b>S</b> x1 	<b>T12</b> L - 700 mm x2 

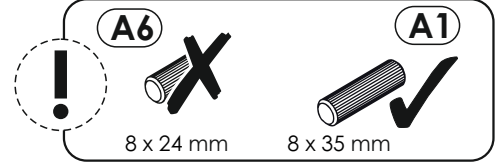
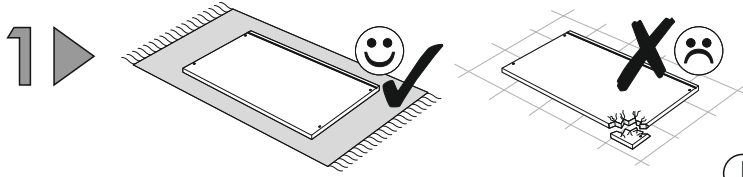
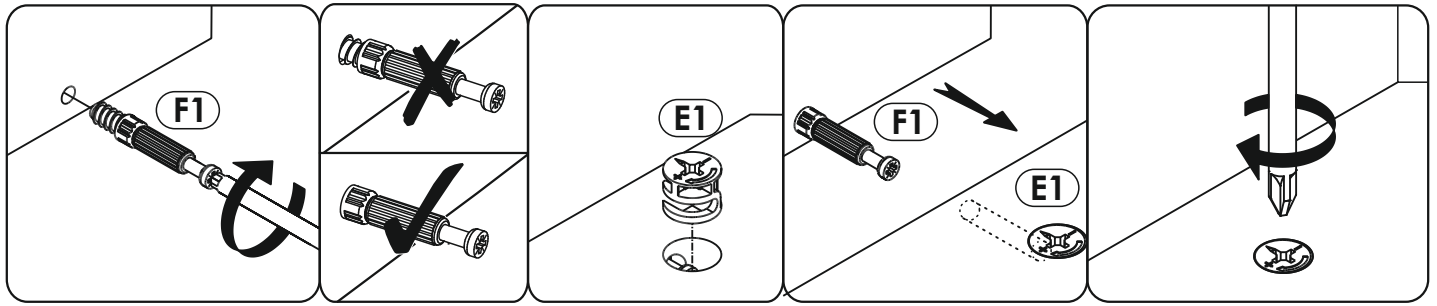


# LYOT04

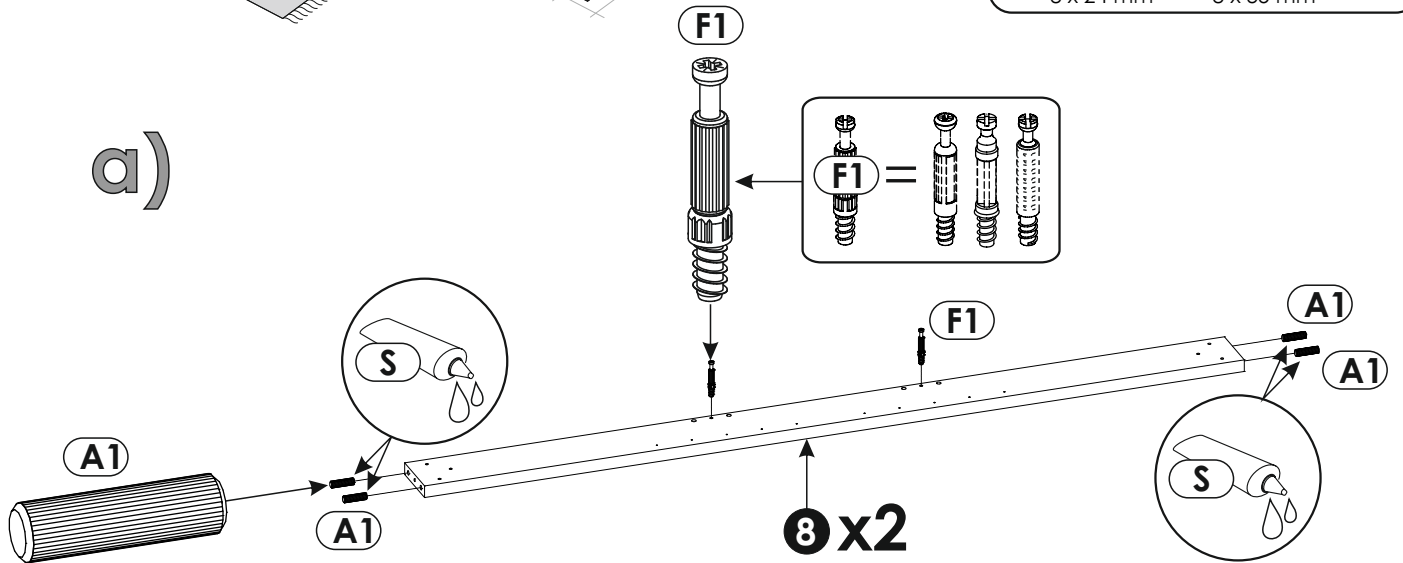


<b>1</b>	900	800	22	x2	2/2
<b>2</b>	900	400	22	x1	2/2
<b>3</b>	737	126	22	x2	1/2
<b>4</b>	737	80	22	x2	1/2
<b>5</b>	737	126	22	x2	1/2

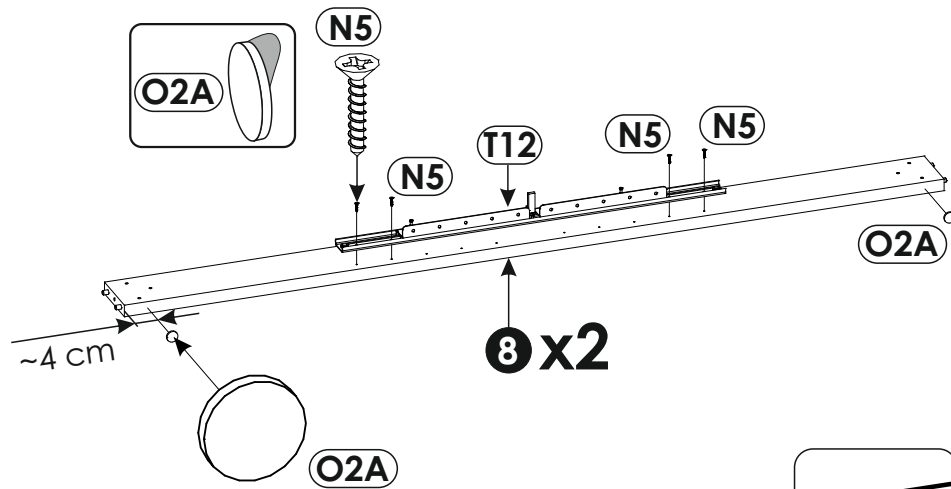
<b>6</b>	737	80	22	x2	1/2
<b>7</b>	846	100	22	x2	1/2
<b>8</b>	1500	100	22	x2	1/2
<b>9</b>	802	100	22	x2	2/2



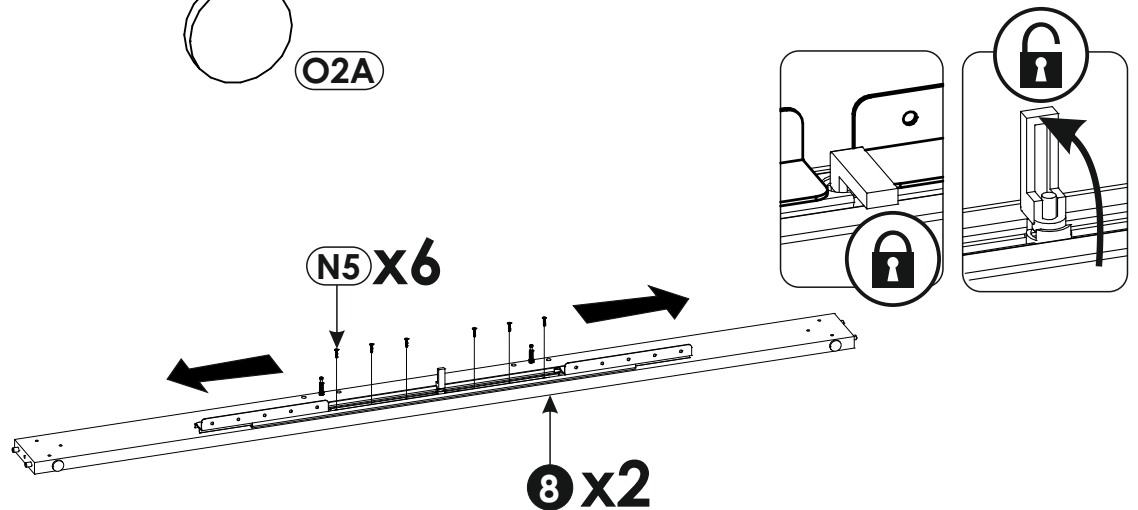
a)

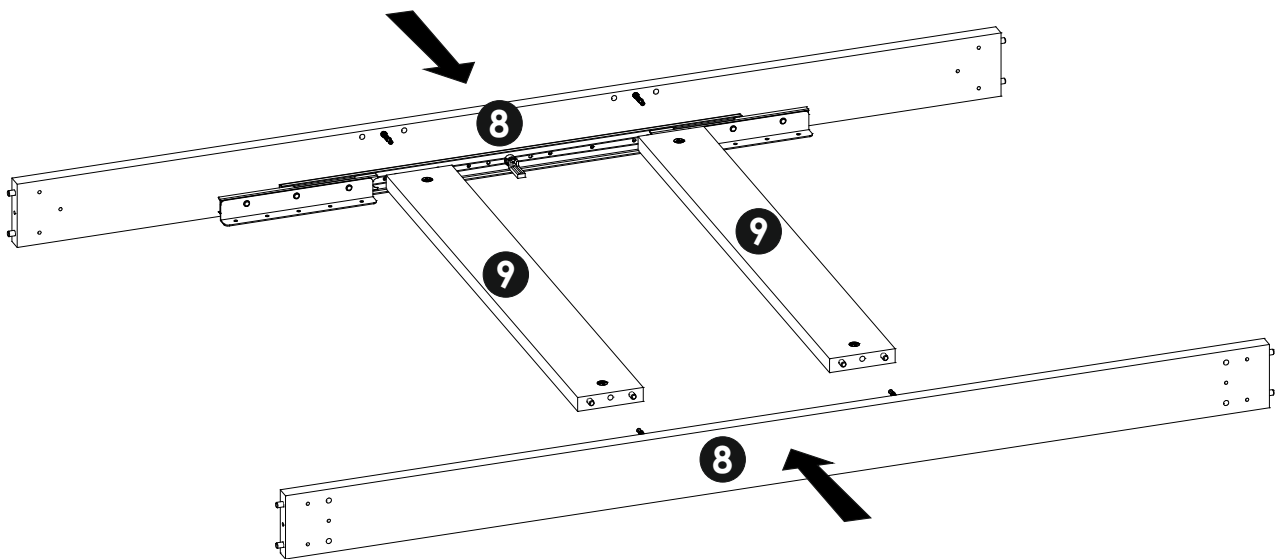
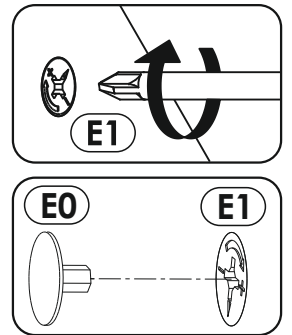
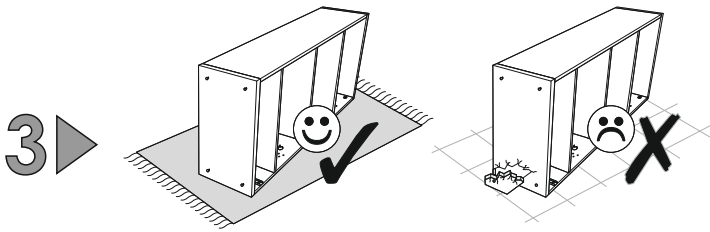
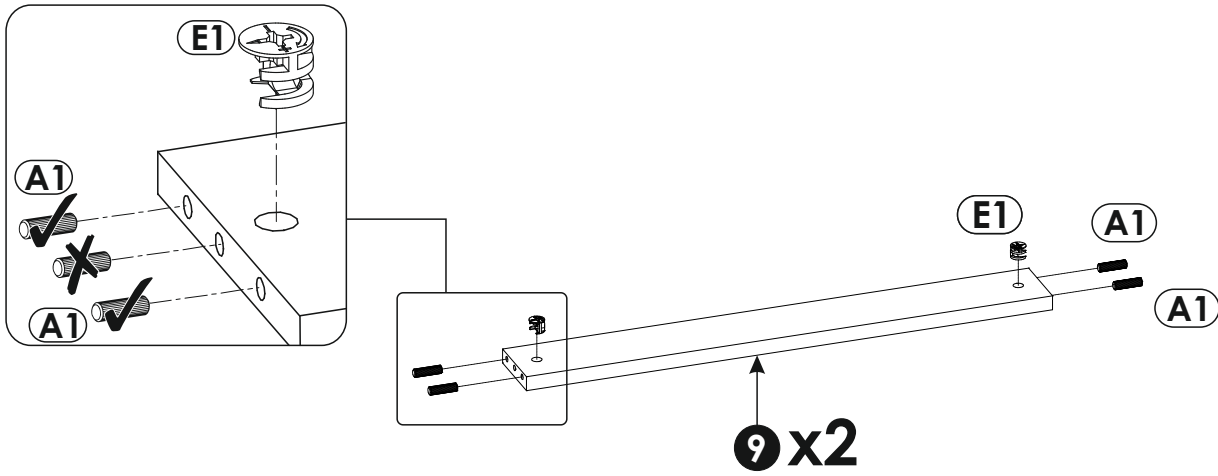
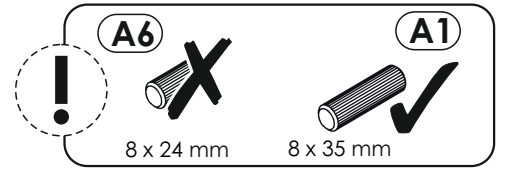
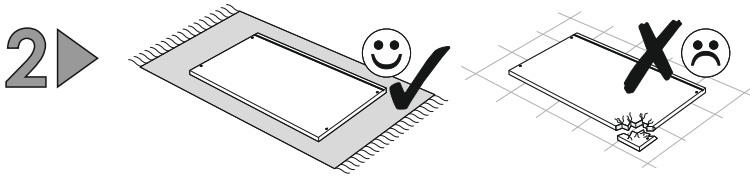


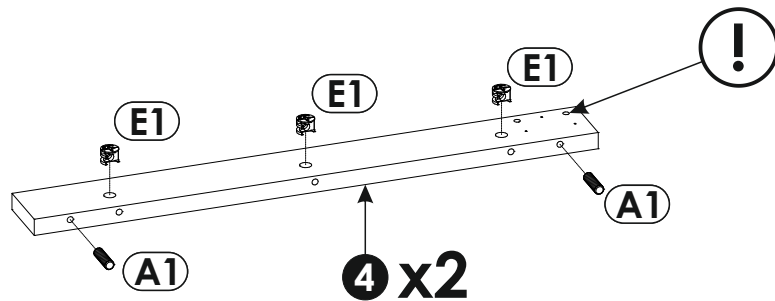
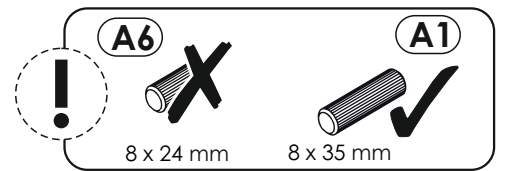
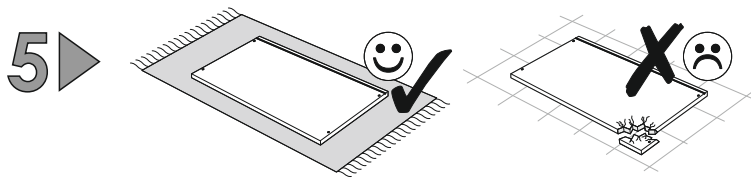
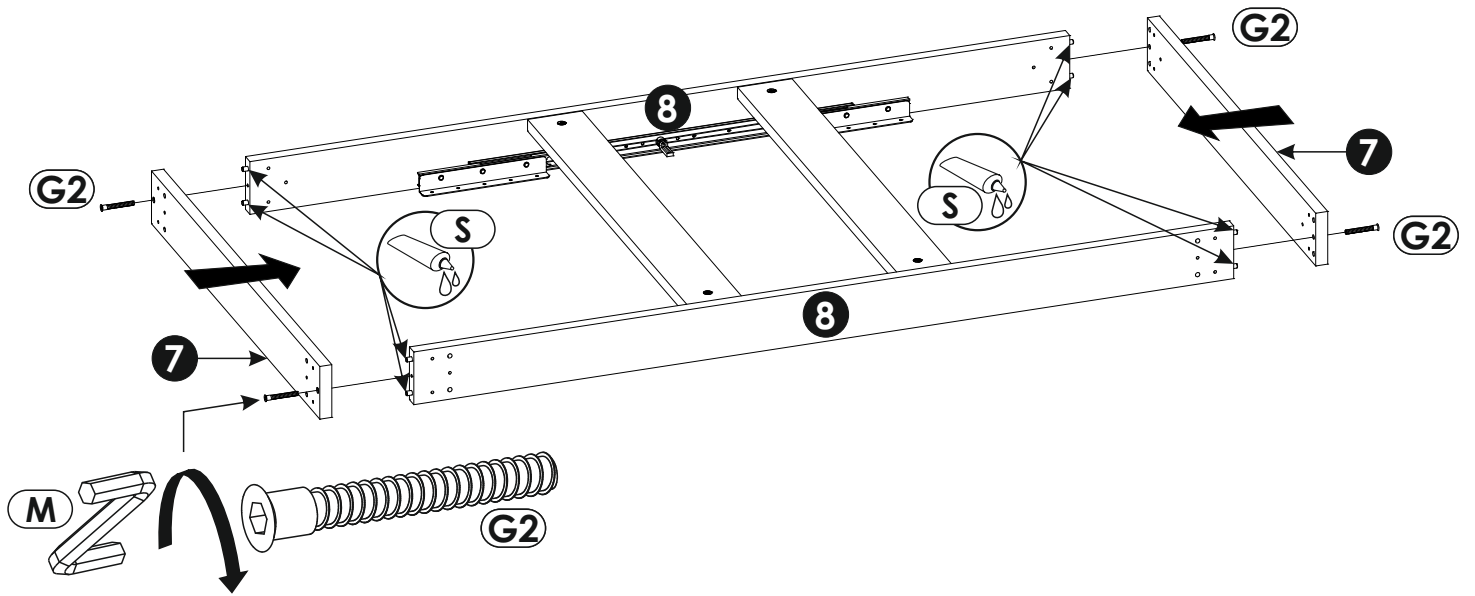
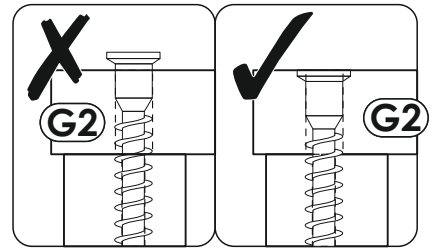
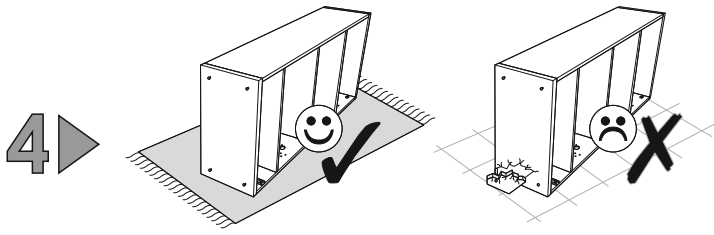
b)

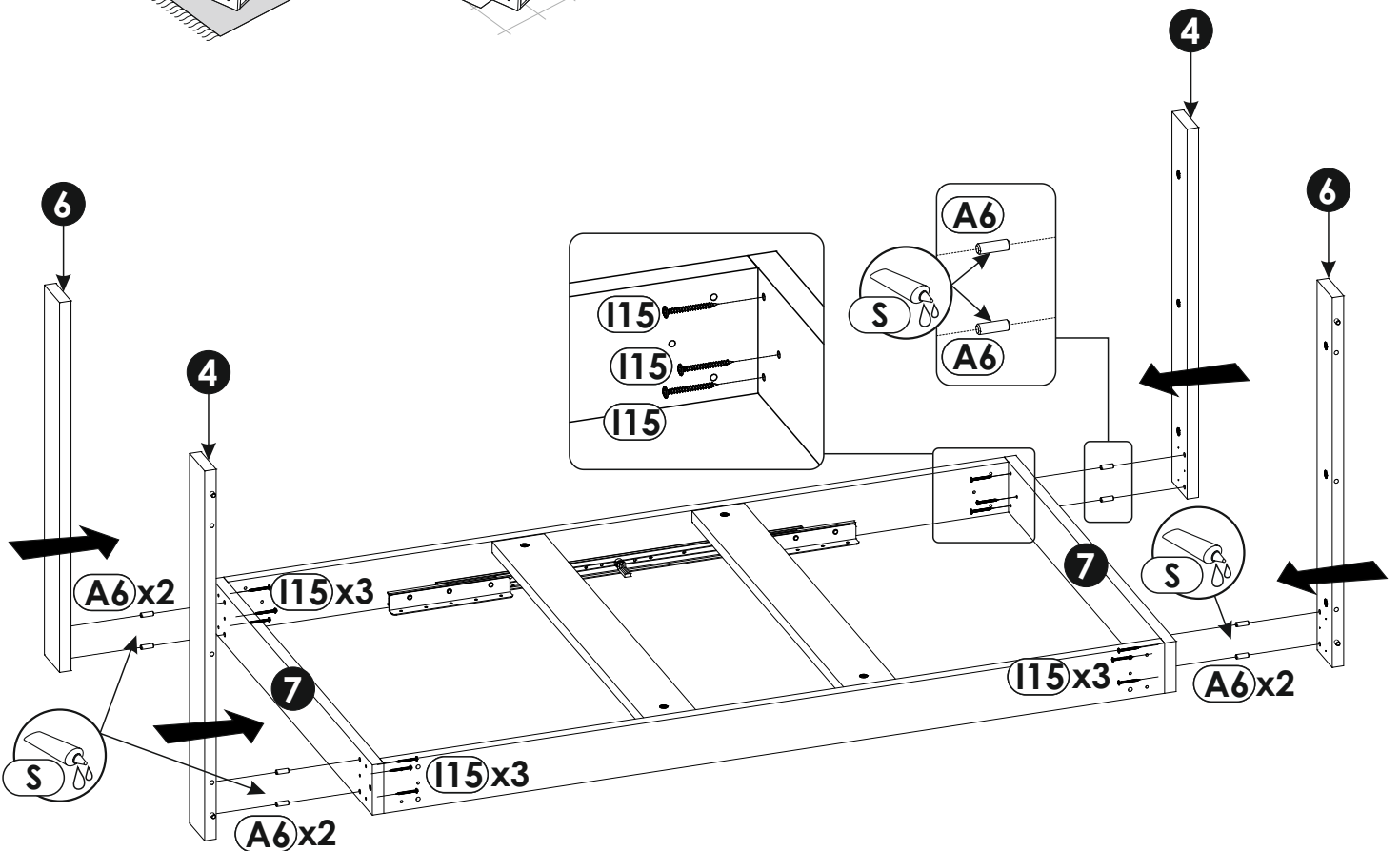
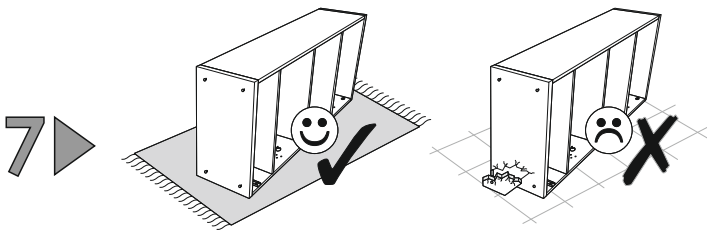
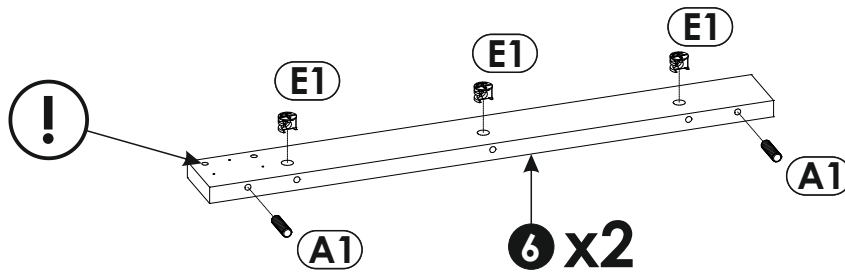
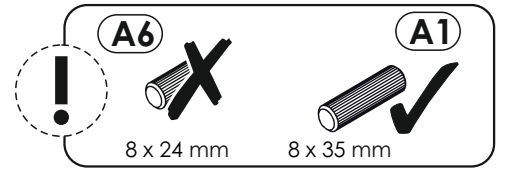
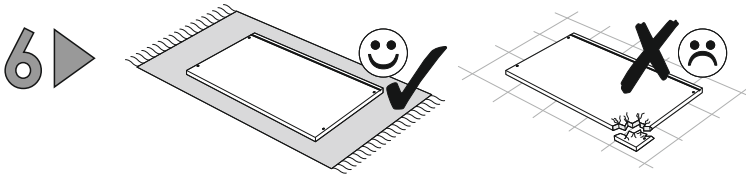


c)



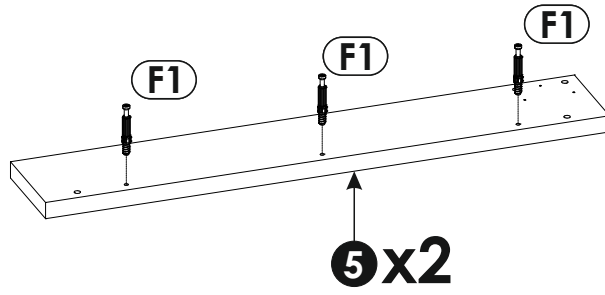
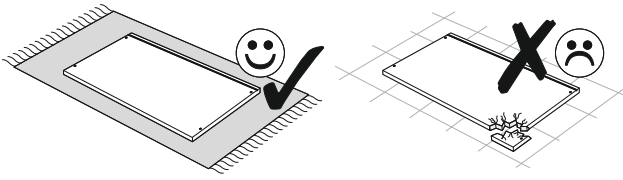




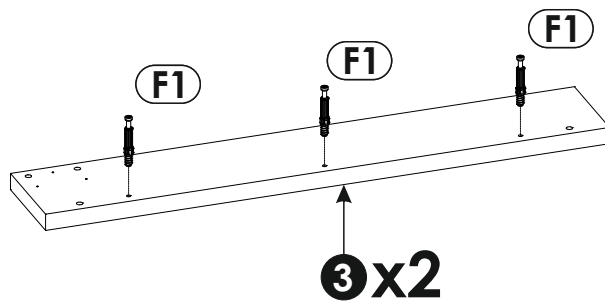
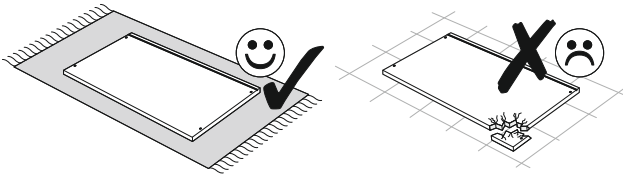


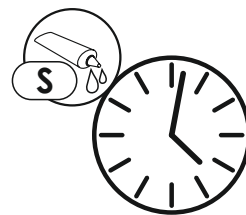
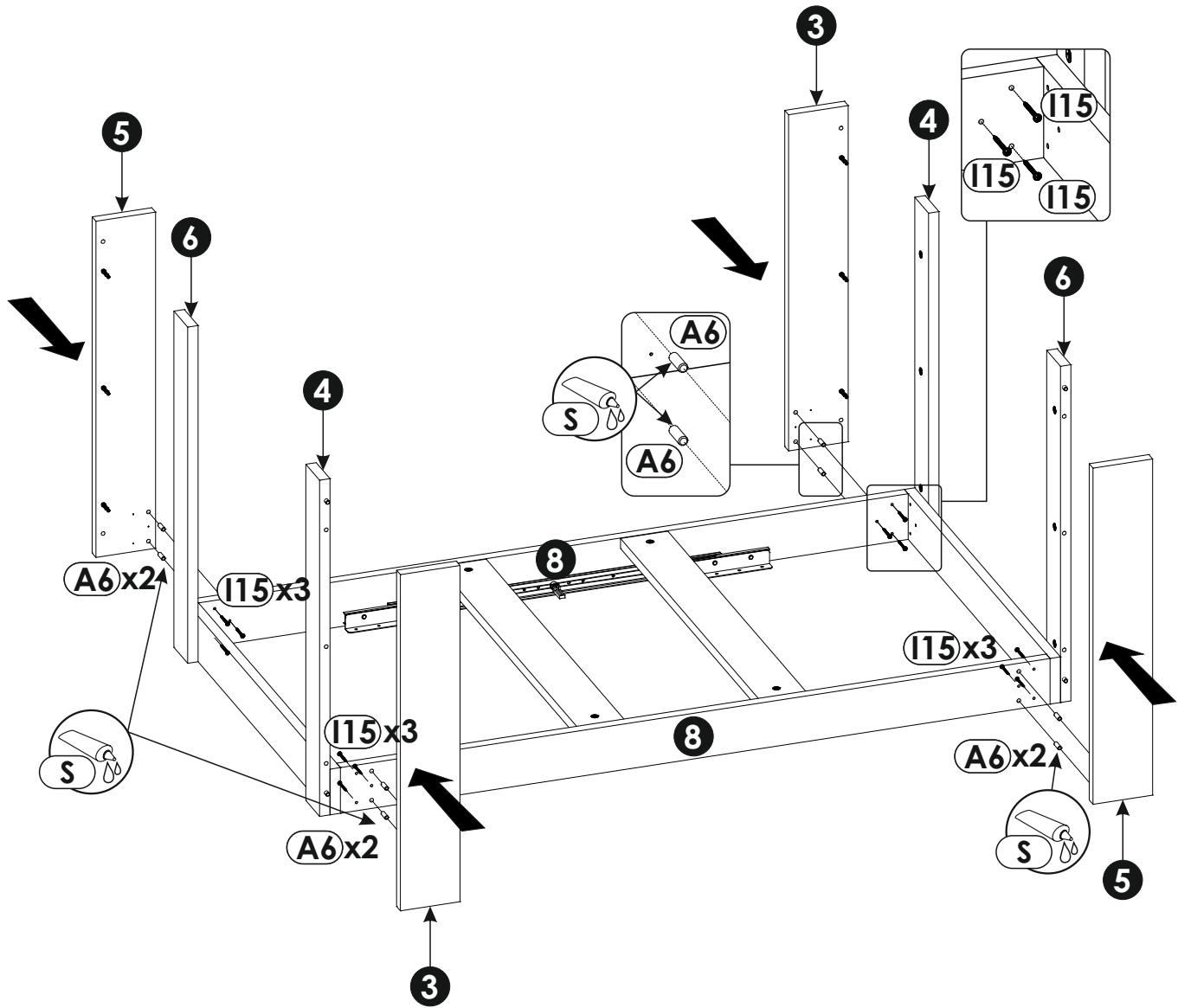
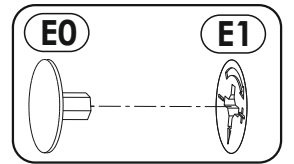
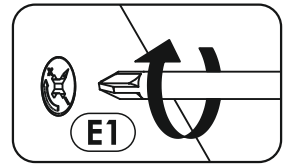
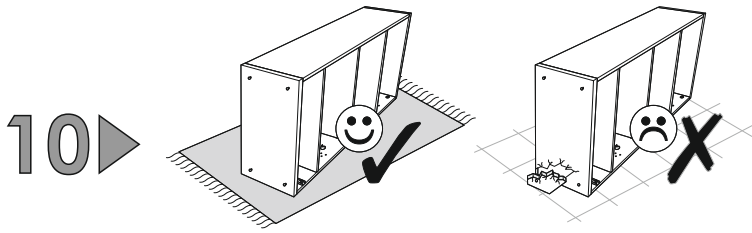


8 ▶

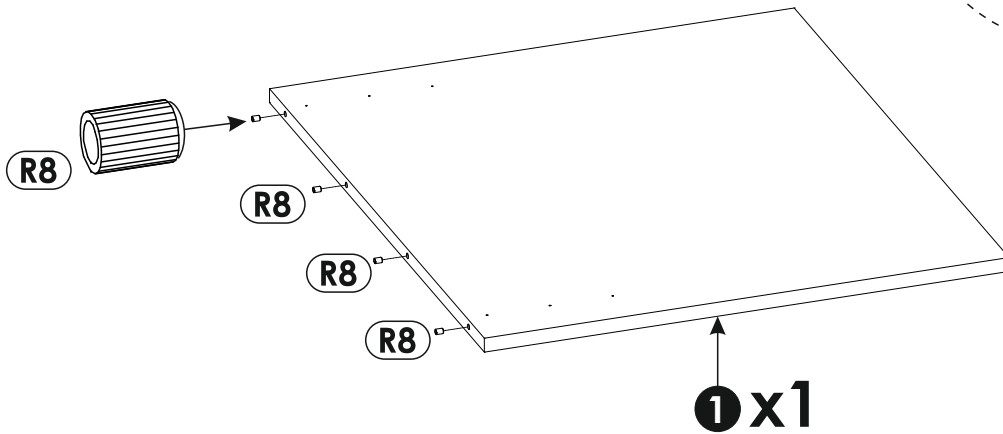
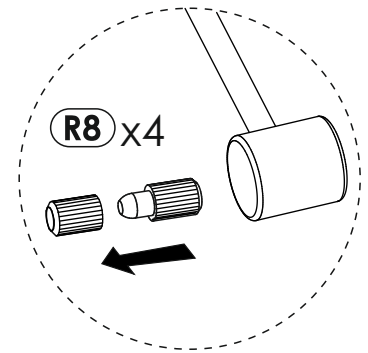
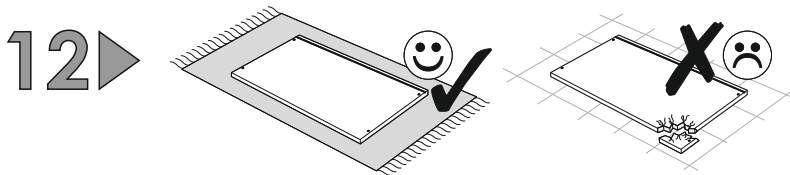
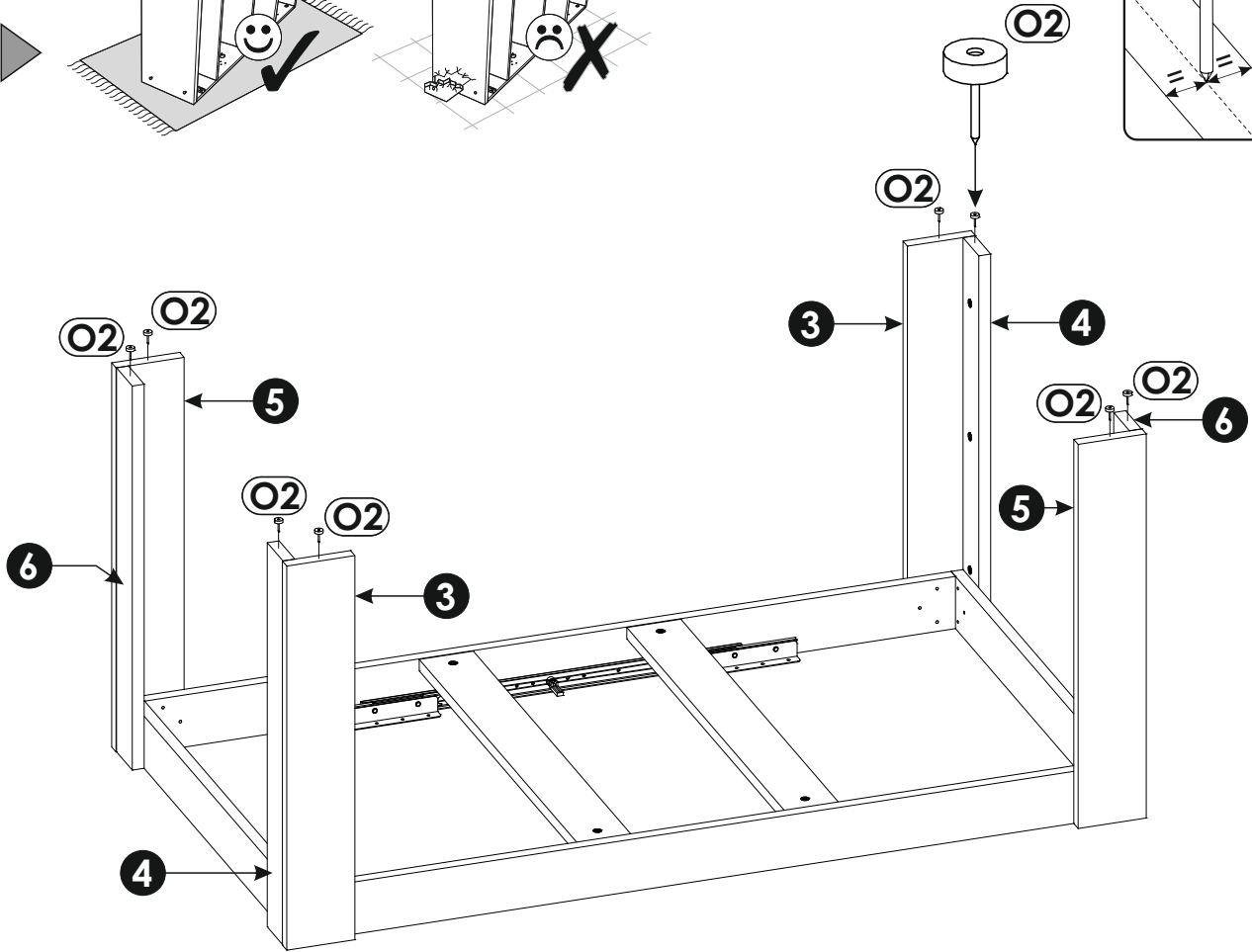
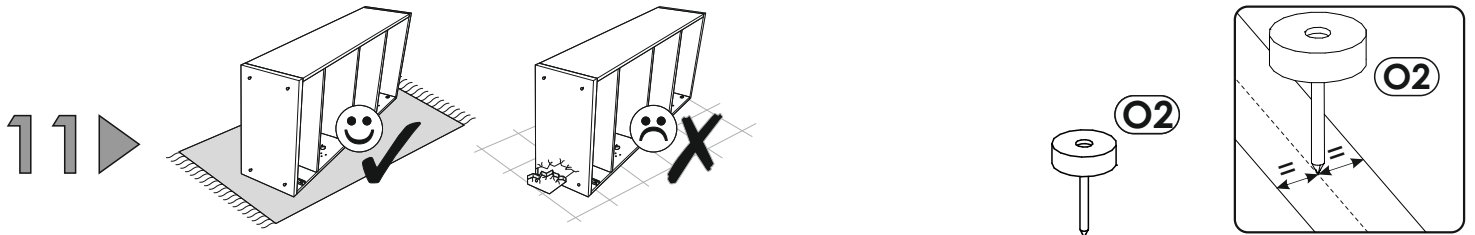


9 ▶

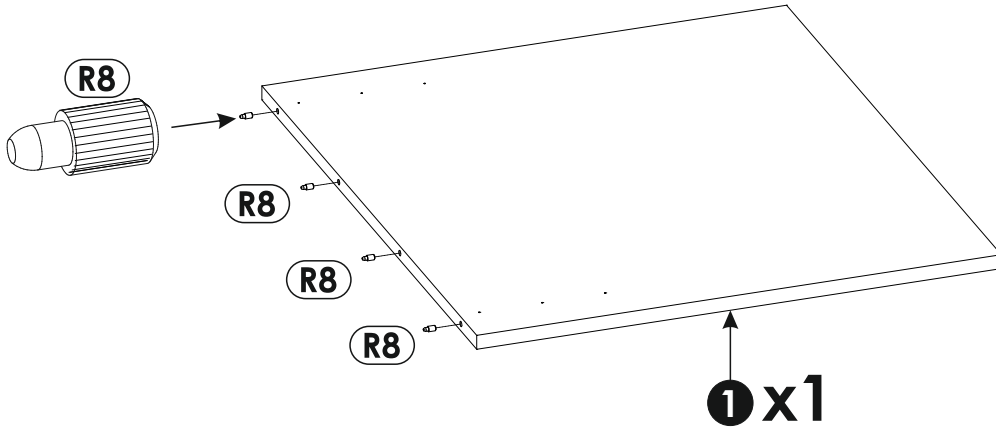
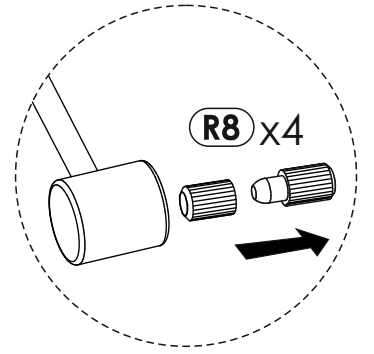
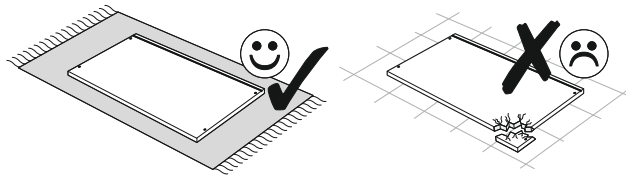




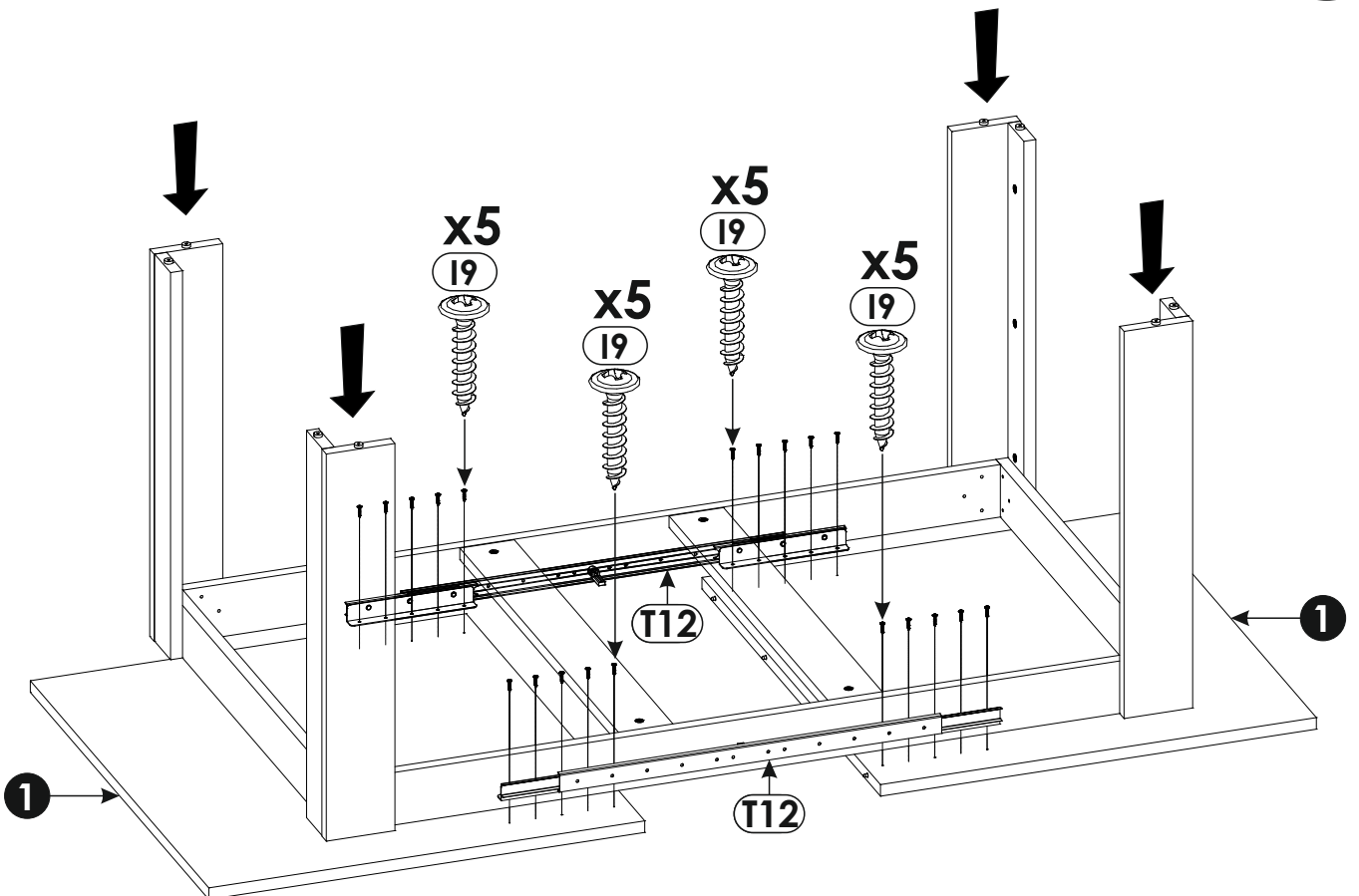
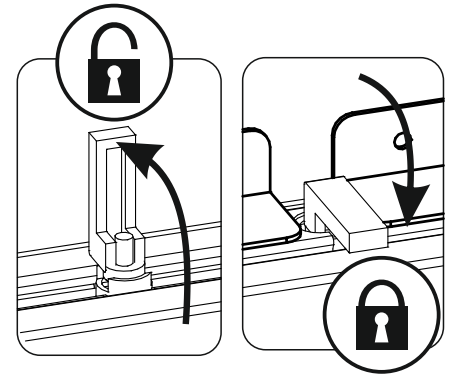
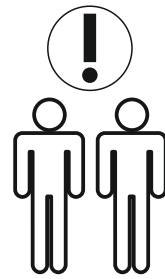
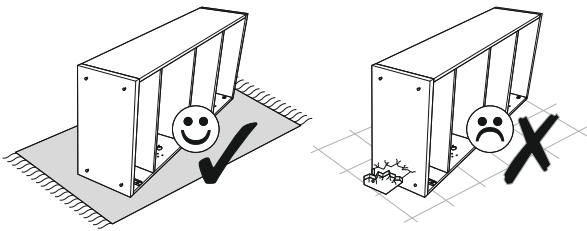
30 MIN



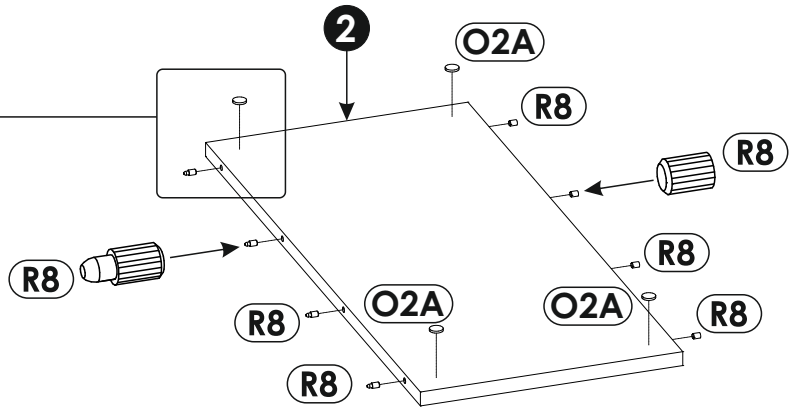
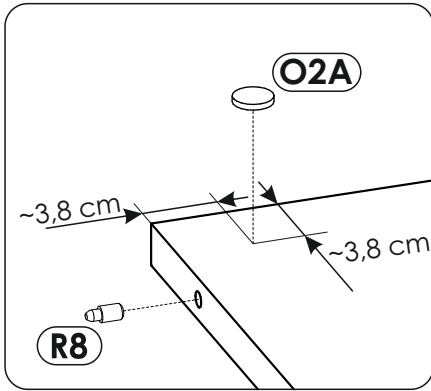
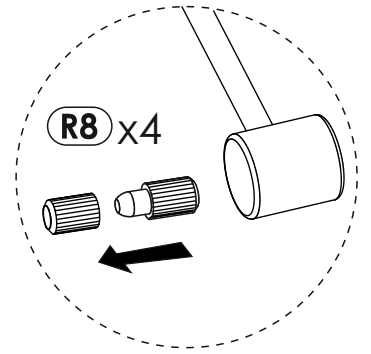
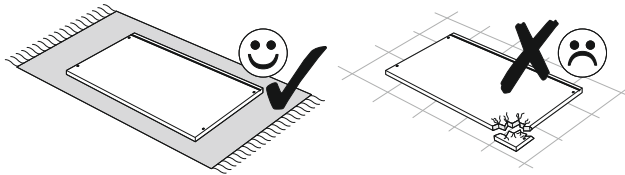
13 ▶



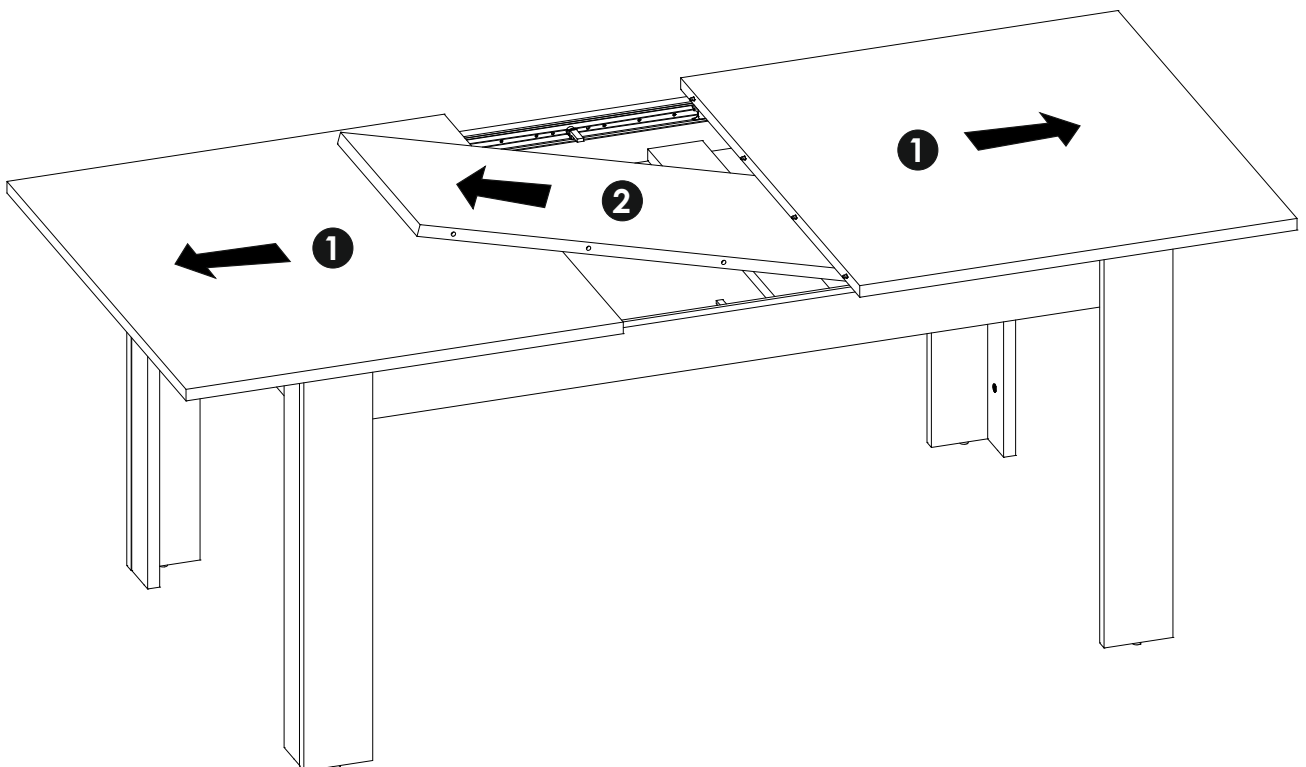
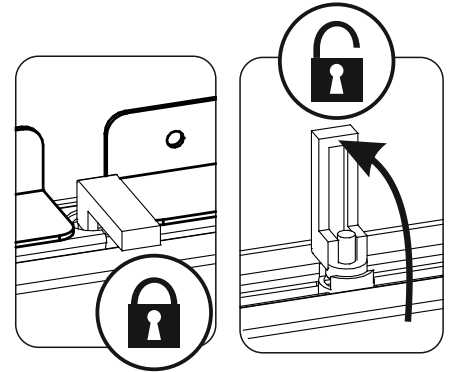
14 ▶



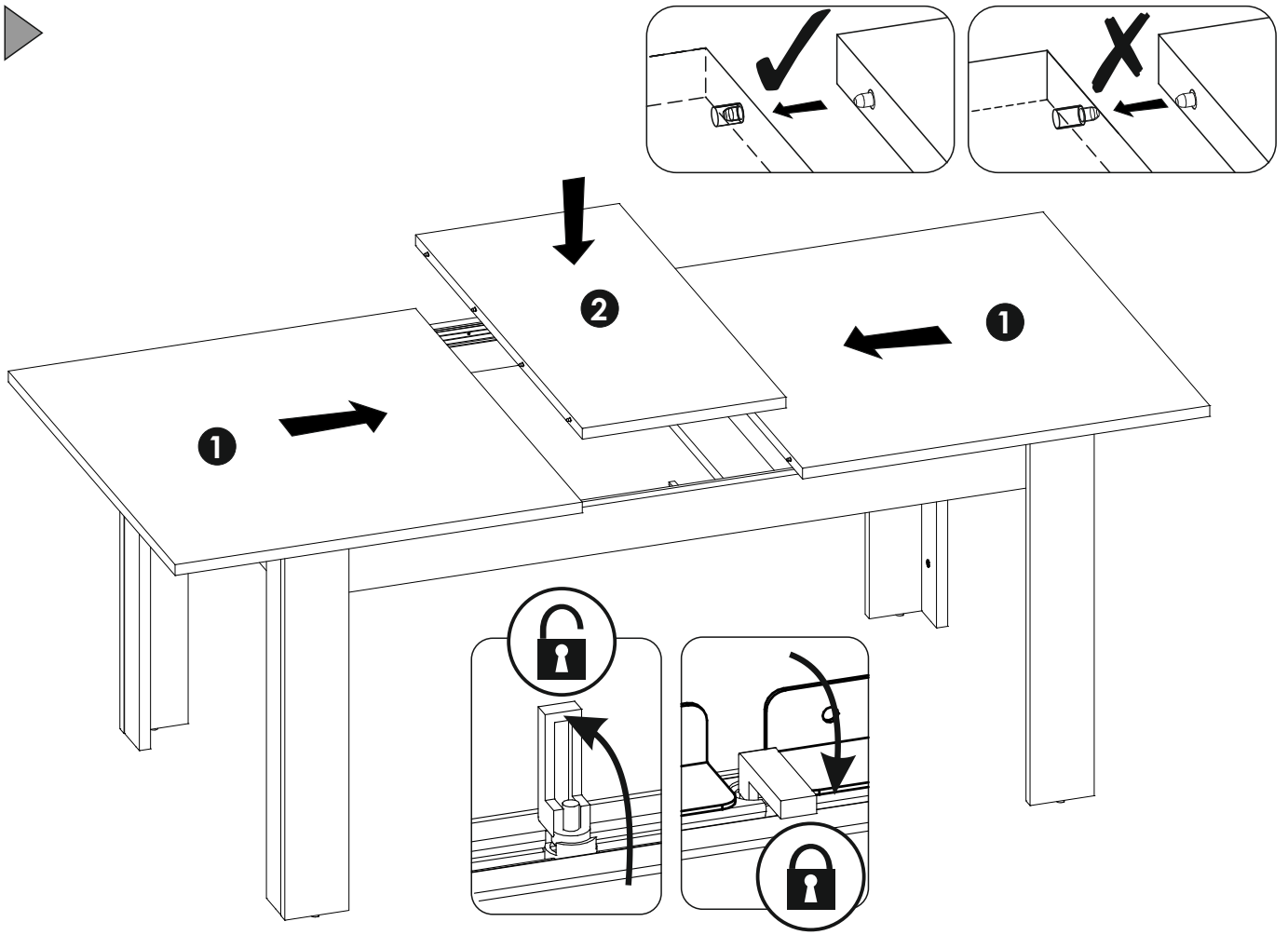
15 ▶



16 ▶



17▶



18▶

